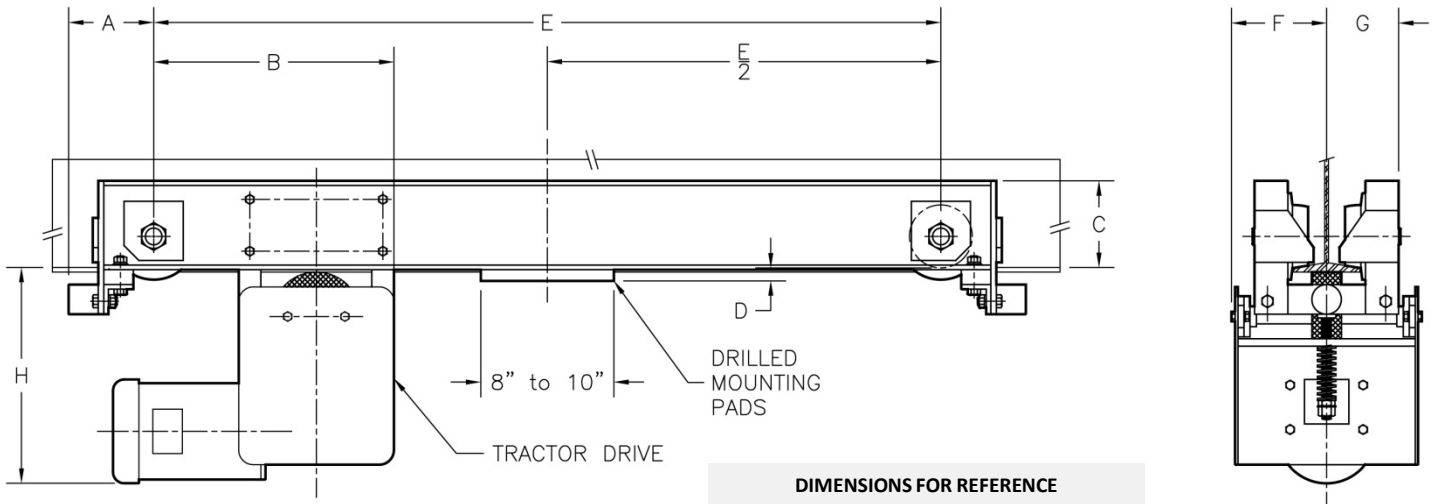


UNDER-RUNNING TRACTOR DRIVEN – END TRUCKS

2 TO 7.5 TON



DIMENSIONS FOR REFERENCE

$G = \text{FLANGE}/2 + z1$

CATALOG NO.	CAPACITY (LBS)	SPEED (FPM)	MOTORS (HP @ RPM)	WHEEL BASE (E)	MAX SPAN	WHEEL (DIA)	MAX WHEEL LOAD	(A)	(B)	(C)	(D)	(F)	(z1)
UTD4-3548	4,000	35	1/3 HP	48"	25'	4 1/4"	1,450	7"	16 1/4"	5 1/4"	1"	6 3/8"	4"
UTD4-3560	4,000	35	1/3 HP	60"	35'	4 1/4"	1,450	7"	16 1/4"	5 1/4"	1"	6 3/8"	4"
UTD4-3572	4,000	35	1/3 HP	72"	40'	4 1/4"	1,450	7"	16 1/4"	5 1/4"	1"	6 3/8"	4"
UTD4-7048	4,000	70	1/3 HP	48"	25'	4 1/4"	1,450	7"	16 1/4"	5 1/4"	1"	6 3/8"	4"
UTD4-7060	4,000	70	1/3 HP	60"	35'	4 1/4"	1,450	7"	16 1/4"	5 1/4"	1"	6 3/8"	4"
UTD4-7072	4,000	70	1/3 HP	72"	40'	4 1/4"	1,450	7"	16 1/4"	5 1/4"	1"	6 3/8"	4"
UTD4-9048	4,000	90	1/2 HP	48"	25'	4 1/4"	1,450	7"	16 1/4"	5 1/4"	1"	6 3/8"	4"
UTD4-9060	4,000	90	1/2 HP	60"	35'	4 1/4"	1,450	7"	16 1/4"	5 1/4"	1"	6 3/8"	4"
UTD4-9072	4,000	90	1/2 HP	72"	40'	4 1/4"	1,450	7"	16 1/4"	5 1/4"	1"	6 3/8"	4"
UTD6-3548	6,000	35	1/3 HP	48"	25'	6"	2,375	7"	16 1/4"	5 1/4"	1"	6 3/8"	4"
UTD6-3560	6,000	35	1/3 HP	60"	35'	6"	2,375	7"	16 1/4"	5 1/4"	1"	6 3/8"	4"
UTD6-3572	6,000	35	1/3 HP	72"	40'	6"	2,375	7"	16 1/4"	5 1/4"	1"	6 3/8"	4"
UTD6-7048	6,000	70	1/2 HP	48"	25'	6"	2,375	7"	16 1/4"	5 1/4"	1"	6 3/8"	4"
UTD6-7060	6,000	70	1/2 HP	60"	35'	6"	2,375	7"	16 1/4"	5 1/4"	1"	6 3/8"	4"
UTD6-7072	6,000	70	1/2 HP	72"	40'	6"	2,375	7"	16 1/4"	5 1/4"	1"	6 3/8"	4"
UTD6-9048	6,000	90	3/4 HP	48"	25'	6"	2,375	7"	16 1/4"	5 1/4"	1"	6 3/8"	4"
UTD6-9060	6,000	90	3/4 HP	60"	35'	6"	2,375	7"	16 1/4"	5 1/4"	1"	6 3/8"	4"
UTD6-9072	6,000	90	3/4 HP	72"	40'	6"	2,375	7"	16 1/4"	5 1/4"	1"	6 3/8"	4"
UTD10-5560	10,000	55	1/2 HP	60"	35'	7"	3,625	7 3/4"	19 3/4"	7"	1 1/2"	7 3/4"	4 3/8"
UTD10-5572	10,000	55	1/2 HP	72"	40'	7"	3,625	7 3/4"	19 3/4"	7"	1 1/2"	7 3/4"	4 3/8"
UTD10-5590	10,000	55	1/2 HP	90"	50'	7"	3,625	7 3/4"	19 3/4"	7"	1 1/2"	7 3/4"	4 3/8"
UTD10-7060	10,000	70	3/4 HP	60"	35'	7"	3,625	7 3/4"	19 3/4"	7"	1 1/2"	7 3/4"	4 3/8"
UTD10-7072	10,000	70	3/4 HP	72"	40'	7"	3,625	7 3/4"	19 3/4"	7"	1 1/2"	7 3/4"	4 3/8"
UTD10-7090	10,000	70	3/4 HP	90"	50'	7"	3,625	7 3/4"	19 3/4"	7"	1 1/2"	7 3/4"	4 3/8"
UTD10-11060	10,000	110	1 HP	60"	35'	7"	3,625	7 3/4"	19 3/4"	7"	1 1/2"	7 3/4"	4 3/8"
UTD10-11072	10,000	110	1 HP	72"	40'	7"	3,625	7 3/4"	19 3/4"	7"	1 1/2"	7 3/4"	4 3/8"
UTD10-11090	10,000	110	1 HP	90"	50'	7"	3,625	7 3/4"	19 3/4"	7"	1 1/2"	7 3/4"	4 3/8"
UTD15-5572	15,000	55	3/4 HP	72"	40'	7"	5,050	7 3/4"	19 3/4"	7"	1 1/2"	7 3/4"	4 7/8"
UTD15-5590	15,000	55	3/4 HP	90"	50'	7"	5,050	7 3/4"	19 3/4"	7"	1 1/2"	7 3/4"	4 7/8"
UTD15-7072	15,000	70	1 HP	72"	40'	7"	5,050	7 3/4"	19 3/4"	7"	1 1/2"	7 3/4"	4 7/8"
UTD15-7090	15,000	70	1 HP	90"	50'	7"	5,050	7 3/4"	19 3/4"	7"	1 1/2"	7 3/4"	4 7/8"
UTD15-11072	15,000	110	1 1/2 HP	72"	40'	7"	5,050	7 3/4"	19 3/4"	7"	1 1/2"	7 3/4"	4 7/8"
UTD15-11090	15,000	110	1 1/2 HP	90"	50'	7"	5,050	7 3/4"	19 3/4"	7"	1 1/2"	7 3/4"	4 7/8"