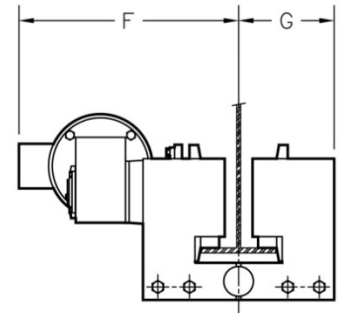
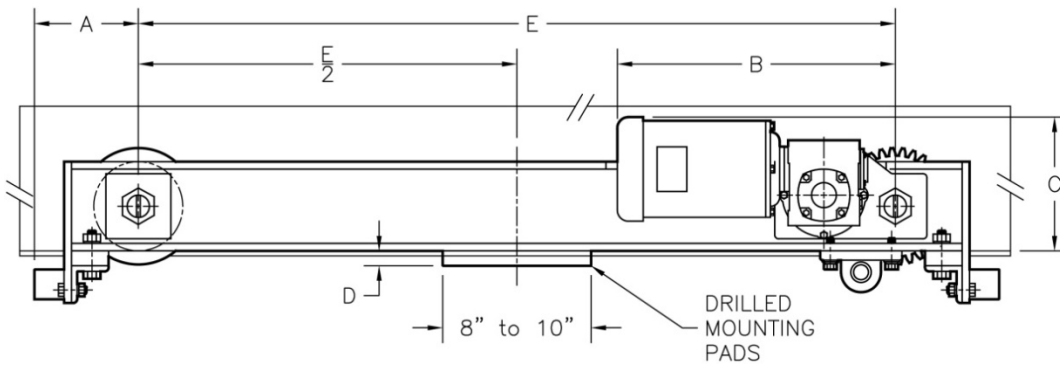


UNDER-RUNNING MOTORIZED – END TRUCKS

2 TO 7.5 TON



$F = \text{FLANGE WIDTH} + 7/8"$

DIMENSIONS FOR REFERENCE

$G = \text{FLANGE}/2 + z1$

CATALOG NO.	CAPACITY (LBS)	SPEED (FPM)	MOTORS (2X)	WHEEL BASE (E)	MAX SPAN	WHEEL (DIA)	MAX WHEEL LOAD	(A)	(B)	(C)	(D)	(z1)	(z2)
UMD4-3548	4,000	35	1/3 HP	48"	25'	4 1/4"	1,450	7"	18"	9"	1"	12 3/4"	4"
UMD4-3560	4,000	35	1/3 HP	60"	35'	4 1/4"	1,450	7"	18"	9"	1"	12 3/4"	4"
UMD4-3572	4,000	35	1/3 HP	72"	40'	4 1/4"	1,450	7"	18"	9"	1"	12 3/4"	4"
UMD4-5848	4,000	58	1/3 HP	48"	25'	4 1/4"	1,450	7"	18"	9"	1"	12 3/4"	4"
UMD4-5860	4,000	58	1/3 HP	60"	35'	4 1/4"	1,450	7"	18"	9"	1"	12 3/4"	4"
UMD4-5872	4,000	58	1/3 HP	72"	40'	4 1/4"	1,450	7"	18"	9"	1"	12 3/4"	4"
UMD4-8748	4,000	87	1/2 HP	48"	25'	4 1/4"	1,450	7"	18"	9"	1"	12 3/4"	4"
UMD4-8760	4,000	87	1/2 HP	60"	35'	4 1/4"	1,450	7"	18"	9"	1"	12 3/4"	4"
UMD4-8772	4,000	87	1/2 HP	72"	40'	4 1/4"	1,450	7"	18"	9"	1"	12 3/4"	4"
UMD6-3548	6,000	35	1/3 HP	48"	25'	6"	2,375	7"	18 3/4"	9"	1"	12 3/4"	4"
UMD6-3560	6,000	35	1/3 HP	60"	35'	6"	2,375	7"	18 3/4"	9"	1"	12 3/4"	4"
UMD6-3572	6,000	35	1/3 HP	72"	40'	6"	2,375	7"	18 3/4"	9"	1"	12 3/4"	4"
UMD6-6048	6,000	60	1/2 HP	48"	25'	6"	2,375	7"	18 3/4"	9"	1"	12 3/4"	4"
UMD6-6060	6,000	60	1/2 HP	60"	35'	6"	2,375	7"	18 3/4"	9"	1"	12 3/4"	4"
UMD6-6072	6,000	60	1/2 HP	72"	40'	6"	2,375	7"	18 3/4"	9"	1"	12 3/4"	4"
UMD6-9048	6,000	90	3/4 HP	48"	25'	6"	2,375	7"	18 3/4"	9"	1"	12 3/4"	4"
UMD6-9060	6,000	90	3/4 HP	60"	35'	6"	2,375	7"	18 3/4"	9"	1"	12 3/4"	4"
UMD6-9072	6,000	90	3/4 HP	72"	40'	6"	2,375	7"	18 3/4"	9"	1"	12 3/4"	4"
UMD10-4060	10,000	40	1/2 HP	60"	35'	7"	3,625	7 3/4"	19 7/8"	9 1/8"	1 1/2"	13 3/8"	4 3/8"
UMD10-4072	10,000	40	1/2 HP	72"	40'	7"	3,625	7 3/4"	19 7/8"	9 1/8"	1 1/2"	13 3/8"	4 3/8"
UMD10-4090	10,000	40	1/2 HP	90"	50'	7"	3,625	7 3/4"	19 7/8"	9 1/8"	1 1/2"	13 3/8"	4 3/8"
UMD10-6560	10,000	65	3/4 HP	60"	35'	7"	3,625	7 3/4"	19 7/8"	9 1/8"	1 1/2"	13 3/8"	4 3/8"
UMD10-6572	10,000	65	3/4 HP	72"	40'	7"	3,625	7 3/4"	19 7/8"	9 1/8"	1 1/2"	13 3/8"	4 3/8"
UMD10-6590	10,000	65	3/4 HP	90"	50'	7"	3,625	7 3/4"	19 7/8"	9 1/8"	1 1/2"	13 3/8"	4 3/8"
UMD10-10060	10,000	100	1 HP	60"	35'	7"	3,625	7 3/4"	19 7/8"	9 1/8"	1 1/2"	13 3/8"	4 3/8"
UMD10-10072	10,000	100	1 HP	72"	40'	7"	3,625	7 3/4"	19 7/8"	9 1/8"	1 1/2"	13 3/8"	4 3/8"
UMD10-10090	10,000	100	1 HP	90"	50'	7"	3,625	7 3/4"	19 7/8"	9 1/8"	1 1/2"	13 3/8"	4 3/8"
UMD15-4072	15,000	40	3/4 HP	72"	40'	7"	5,050	7 3/4"	19 7/8"	9 1/8"	1 1/2"	13 3/8"	4 7/8"
UMD15-4090	15,000	40	3/4 HP	90"	50'	7"	5,050	7 3/4"	19 7/8"	9 1/8"	1 1/2"	13 3/8"	4 7/8"
UMD15-6572	15,000	65	1 HP	72"	40'	7"	5,050	7 3/4"	19 7/8"	9 1/8"	1 1/2"	13 3/8"	4 7/8"
UMD15-6590	15,000	65	1 HP	90"	50'	7"	5,050	7 3/4"	19 7/8"	9 1/8"	1 1/2"	13 3/8"	4 7/8"
UMD15-10072	15,000	100	1 1/2 HP	72"	40'	7"	5,050	7 3/4"	19 7/8"	9 1/8"	1 1/2"	13 3/8"	4 7/8"
UMD15-10090	15,000	100	1 1/2 HP	90"	50'	7"	5,050	7 3/4"	19 7/8"	9 1/8"	1 1/2"	13 3/8"	4 7/8"