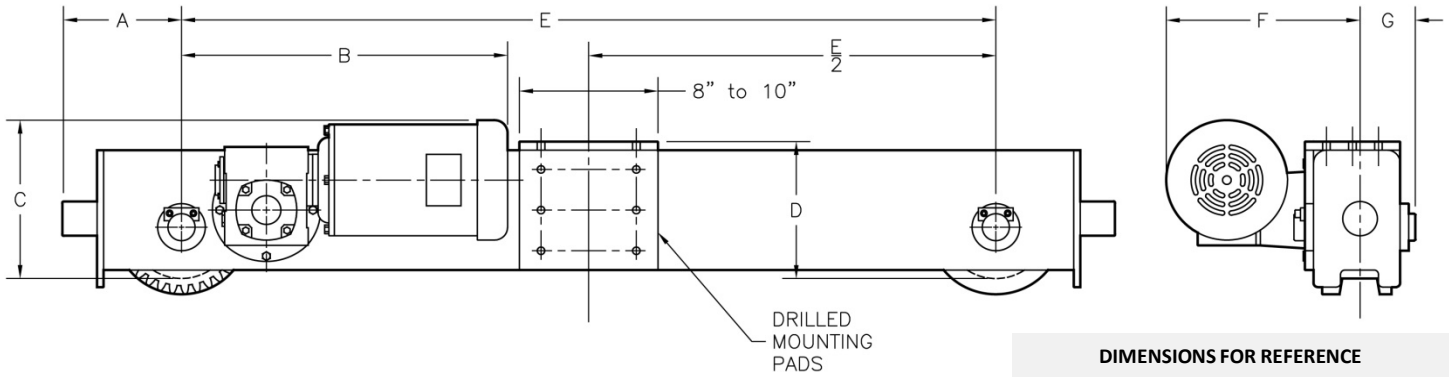


TOP RUNNING – END TRUCKS

2 TO 7.5 TON



DIMENSIONS FOR REFERENCE

CATALOG NO.	CAPACITY (LBS)	SPEED (PM)	MOTORS (2X)	WHEEL BASE (E)	MAX SPAN	WHEEL (DIA)	MAX WHEEL LOAD	(A)	(B)	()	()	(F)	(G)
TMD4-3548	4,000	35	1/3 HP	48"	25'	4 1/4"	2,900	6"	17 3/4"	9"	6 7/8"	13 1/2"	3 1/8"
TMD4-3560	4,000	35	1/3 HP	60"	35'	4 1/4"	2,900	6"	17 3/4"	9"	6 7/8"	13 1/2"	3 1/8"
TMD4-3572	4,000	35	1/3 HP	72"	40'	4 1/4"	2,900	6"	17 3/4"	9"	6 7/8"	13 1/2"	3 1/8"
TMD4-6048	4,000	60	1/3 HP	48"	25'	4 1/4"	2,900	6"	17 3/4"	9"	6 7/8"	13 1/2"	3 1/8"
TMD4-6060	4,000	60	1/3 HP	60"	35'	4 1/4"	2,900	6"	17 3/4"	9"	6 7/8"	13 1/2"	3 1/8"
TMD4-6072	4,000	60	1/3 HP	72"	40'	4 1/4"	2,900	6"	17 3/4"	9"	6 7/8"	13 1/2"	3 1/8"
TMD4-9048	4,000	90	1/3 HP	48"	25'	4 1/4"	2,900	6"	17 3/4"	9"	6 7/8"	13 1/2"	3 1/8"
TMD4-9006	4,000	90	1/3 HP	60"	35'	4 1/4"	2,900	6"	17 3/4"	9"	6 7/8"	13 1/2"	3 1/8"
TMD4-9072	4,000	90	1/3 HP	72"	40'	4 1/4"	2,900	6"	17 3/4"	9"	6 7/8"	13 1/2"	3 1/8"
TMD6-3548	6,000	35	1/3 HP	48"	25'	6"	4,750	7"	18 7/8"	9 3/8"	8"	13 1/2"	3 1/4"
TMD6-3560	6,000	35	1/3 HP	60"	35'	6"	4,750	7"	18 7/8"	9 3/8"	8"	13 1/2"	3 1/4"
TMD6-3572	6,000	35	1/3 HP	72"	40'	6"	4,750	7"	18 7/8"	9 3/8"	8"	13 1/2"	3 1/4"
TMD6-6048	6,000	60	1/2 HP	48"	25'	6"	4,750	7"	18 7/8"	9 3/8"	8"	13 1/2"	3 1/4"
TMD6-6060	6,000	60	1/2 HP	60"	35'	6"	4,750	7"	18 7/8"	9 3/8"	8"	13 1/2"	3 1/4"
TMD6-6072	6,000	60	1/2 HP	72"	40'	6"	4,750	7"	18 7/8"	9 3/8"	8"	13 1/2"	3 1/4"
TMD6-9048	6,000	90	3/4 HP	48"	25'	6"	4,750	7"	18 7/8"	9 3/8"	8"	13 1/2"	3 1/4"
TMD6-9060	6,000	90	3/4 HP	60"	35'	6"	4,750	7"	18 7/8"	9 3/8"	8"	13 1/2"	3 1/4"
TMD6-9072	6,000	90	3/4 HP	72"	40'	6"	4,750	7"	18 7/8"	9 3/8"	8"	13 1/2"	3 1/4"
TMD10-5060	10,000	50	1/2 HP	60"	35'	7 1/2"	7,250	8-1/2"	19 1/2"	10 7/8"	10"	14 5/8"	3 1/2"
TMD10-5072	10,000	50	1/2 HP	72"	40'	7 1/2"	7,250	8-1/2"	19 1/2"	10 7/8"	10"	14 5/8"	3 1/2"
TMD10-5090	10,000	50	1/2 HP	90"	50'	7 1/2"	7,250	8-1/2"	19 1/2"	10 7/8"	10"	14 5/8"	3 1/2"
TMD10-8560	10,000	85	3/4 HP	60"	35'	7 1/2"	7,250	8-1/2"	19 1/2"	10 7/8"	10"	14 5/8"	3 1/2"
TMD10-8570	10,000	85	3/4 HP	72"	40'	7 1/2"	7,250	8-1/2"	19 1/2"	10 7/8"	10"	14 5/8"	3 1/2"
TMD10-8590	10,000	85	3/4 HP	90"	50'	7 1/2"	7,250	8-1/2"	19 1/2"	10 7/8"	10"	14 5/8"	3 1/2"
TMD10-12560	10,000	125	1 HP	60"	35'	7 1/2"	7,250	8-1/2"	19 1/2"	10 7/8"	10"	14 5/8"	3 1/2"
TMD10-12572	10,000	125	1 HP	72"	40'	7 1/2"	7,250	8-1/2"	19 1/2"	10 7/8"	10"	14 5/8"	3 1/2"
TMD10-12590	10,000	125	1 HP	90"	50'	7 1/2"	7,250	8-1/2"	19 1/2"	10 7/8"	10"	14 5/8"	3 1/2"
TMD15-5072	10,000	50	3/4 HP	72"	40'	7 1/2"	10,100	8-1/2"	19 1/2"	10 7/8"	10"	14 5/8"	3 1/2"
TMD15-5090	15,000	50	3/4 HP	90"	50'	7 1/2"	10,100	8-1/2"	19 1/2"	10 7/8"	10"	14 5/8"	3 1/2"
TMD15-8572	15,000	85	1 HP	72"	40'	7 1/2"	10,100	8-1/2"	19 1/2"	10 7/8"	10"	14 5/8"	3 1/2"
TMD15-8590	15,000	85	1 HP	90"	50'	7 1/2"	10,100	8-1/2"	19 1/2"	10 7/8"	10"	14 5/8"	3 1/2"
TMD15-12572	15,000	125	1 1/2 HP	72"	40'	7 1/2"	10,100	8-1/2"	19 1/2"	10 7/8"	10"	14 5/8"	3 1/2"
TMD15-12590	15,000	125	1 1/2 HP	90"	50'	7 1/2"	10,100	8-1/2"	19 1/2"	10 7/8"	10"	14 5/8"	3 1/2"