

## ENCLOSED TRACK DRIVE TRACTORS

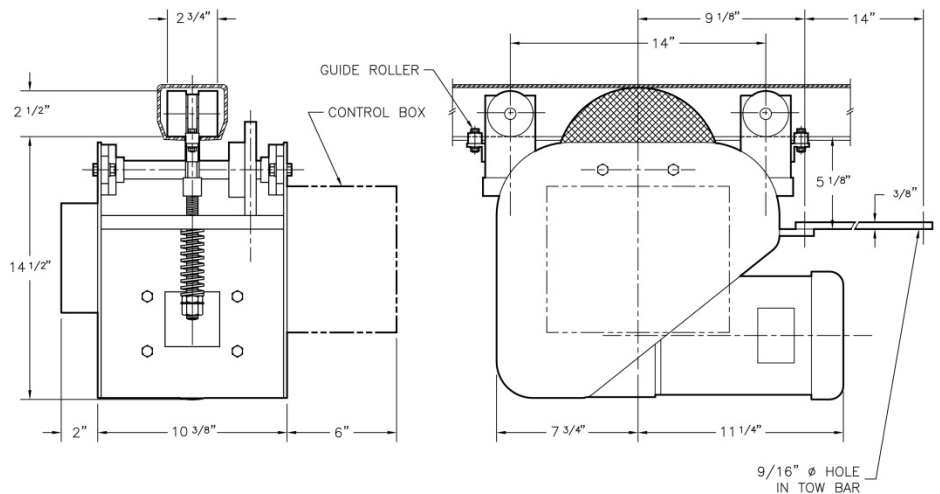
Motorize your Enclosed Track Crane System or Monorail with SATURN drive tractors. **SATURN has tractors designed to fit all of the popular track systems like GORBEL, SPANCO, UNIFIED, ZIMMERMAN, CRANEVEYOR and many others.** Motorize the Bridge Motion, the Trolley Motion or Both with our very popular Set of 3 Tractors.

### STANDARD FEATURES:

- Capacities: 500, 1000, 2000/4000 LB
- Speeds: 35, 50 & 70 FPM
- Worm Gear Drives
- TEFC/Inverter Ready (5:1) Trolley Motor
- Power Voltages: 230V or 460V-3Ph-60Hz
- Control Voltage: 115V
- NEMA 1 Enclosures (Indoor Service)
- Single Speed Contactor Controls
- Controls Mounted - Factory Balanced
- Straight/Basic Tow Bar Provided
- Nylon Drive Wheels
- Steel & Nylon Trolley Wheels
- Safety Orange Paint
- High Quality Construction

### OPTIONAL FEATURES/MODIFICATIONS:

- See OPTIONAL FEATURES Page As Many Features Apply To Our Enclosed Track Tractors



### T-144 ET (GORBEL)

- CMAA Service: Class C
- Standard Color Orange

DIMENSIONS FOR REFERENCE

### HOIST & TRACTOR COMBINATION SET

- Chain Hoists
- Low Headroom Hoists

