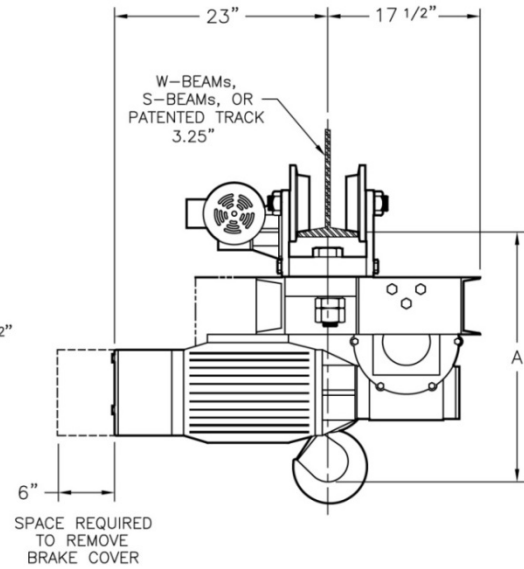
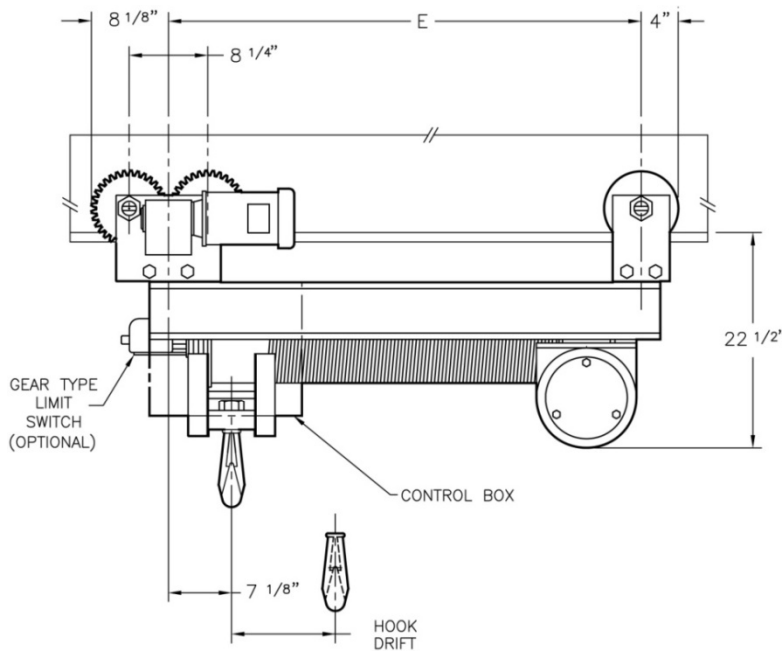


SEMI-LOW HEADROOM MONORAIL HOIST

4 TO 5 TON (SINGLE REEVED)



DIMENSIONS FOR REFERENCE

LONGER LIFTS AS CUSTOM

STANDARD TROLLEY SPEEDS: 35 & 60 FPM

CATALOG NO.	CAPACITY (LBS)	SPEED (FPM)	LIFT (FT)	REEVING TYPE	CABLE (DIA)	HOIST MOTOR (HP @ RPM)	HEADROOM (A)	WHEEL BASE (E)	HOOK DRIFT	WEIGHT (LBS)
FD8-1011-MT	8,000	10	11	4PS	3/8	5 @ 1200	26"	34 1/8"	3"	1200
FD8-1018-MT	8,000	10	18	4PS	3/8	5 @ 1200	26"	40 5/8"	4 1/2"	1275
FD8-1023-MT	8,000	10	23	4PS	3/8	5 @ 1200	26"	45 5/8"	5 3/4"	1350
FD8-1028-MT	8,000	10	28	4PS	3/8	5 @ 1200	26"	50 5/8"	7"	1425
FD8-1033-MT	8,000	10	33	4PS	3/8	5 @ 1200	26"	56 5/8"	8 3/4"	1500
FD8-1039-MT	8,000	10	39	4PS	3/8	5 @ 1200	26"	62 1/8"	10"	1575
FD8-1511-MT	8,000	15	11	4PS	3/8	7 1/2 @ 1800	26"	34 1/8"	3"	1200
FD8-1518-MT	8,000	15	18	4PS	3/8	7 1/2 @ 1800	26"	40 5/8"	4 1/2"	1275
FD8-1523-MT	8,000	15	23	4PS	3/8	7 1/2 @ 1800	26"	45 5/8"	5 3/4"	1350
FD8-1528-MT	8,000	15	28	4PS	3/8	7 1/2 @ 1800	26"	50 5/8"	7"	1425
FD8-1533-MT	8,000	15	33	4PS	3/8	7 1/2 @ 1800	26"	56 5/8"	8 3/4"	1500
FD8-1539-MT	8,000	15	39	4PS	3/8	7 1/2 @ 1800	26"	62 1/8"	10"	1575
FD10-1011-MT	10,000	10	11	4PS	3/8	6 @ 1200	26"	34 1/8"	3"	1200
FD10-1018-MT	10,000	10	18	4PS	3/8	6 @ 1200	26"	40 5/8"	4 1/2"	1275
FD10-1023-MT	10,000	10	23	4PS	3/8	6 @ 1200	26"	45 5/8"	5 3/4"	1350
FD10-1028-MT	10,000	10	28	4PS	3/8	6 @ 1200	26"	50 5/8"	7"	1425
FD10-1033-MT	10,000	10	33	4PS	3/8	6 @ 1200	26"	56 5/8"	8 3/4"	1500
FD10-1039-MT	10,000	10	39	4PS	3/8	6 @ 1200	26"	62 1/8"	10"	1575
FD10-1511-MT	10,000	15	11	4PS	3/8	10 @ 1800	26"	34 1/8"	3"	1200
FD10-1518-MT	10,000	15	18	4PS	3/8	10 @ 1800	26"	40 5/8"	4 1/2"	1275
FD10-1523-MT	10,000	15	23	4PS	3/8	10 @ 1800	26"	45 5/8"	5 3/4"	1350
FD10-1528-MT	10,000	15	28	4PS	3/8	10 @ 1800	26"	50 5/8"	7"	1425
FD10-1533-MT	10,000	15	33	4PS	3/8	10 @ 1800	26"	56 5/8"	8 3/4"	1500
FD10-1539-MT	10,000	15	39	4PS	3/8	10 @ 1800	26"	62 1/8"	10"	1575

COMMON MODELS WITH MOTORIZED TROLLEY (MT) ONLY ABOVE - OTHERWISE BUILD TO ORDER