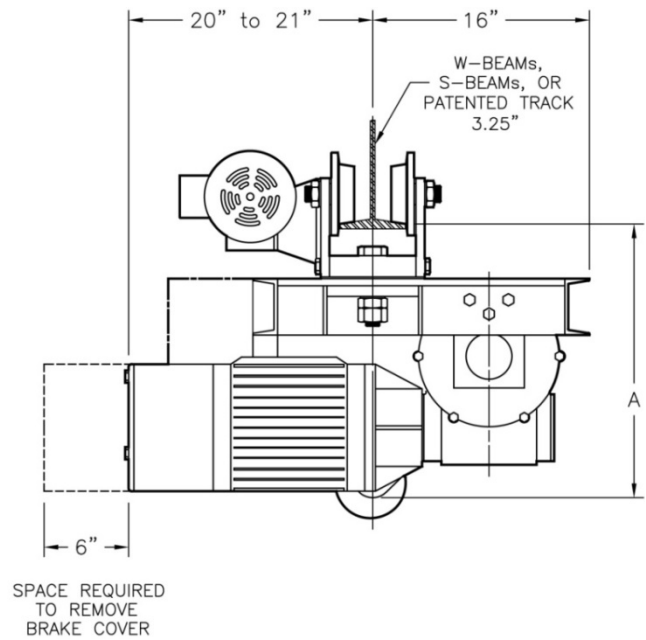
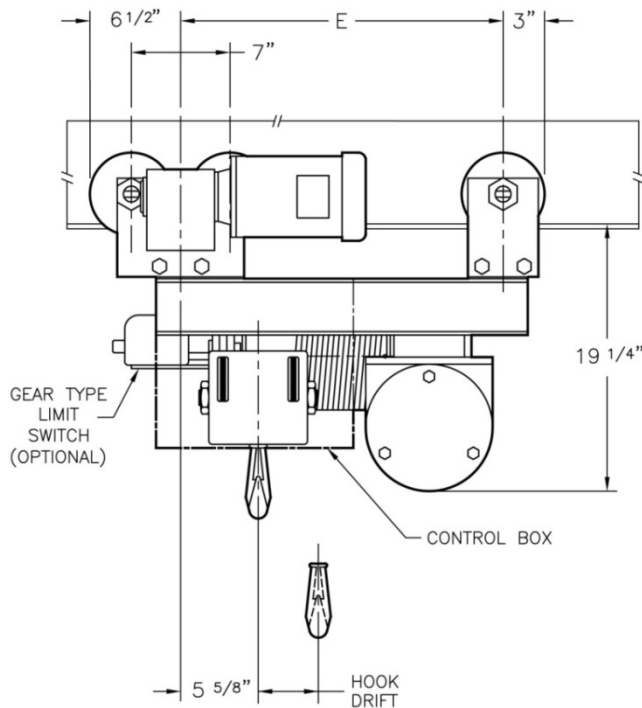


# SEMI-LOW HEADROOM MONORAIL HOIST

## 2 TO 3 TON (SINGLE REEVED)



DIMENSIONS FOR REFERENCE

### LONGER LIFTS AS CUSTOM

### STANDARD TROLLEY SPEEDS: 35 & 60 FPM

CATALOG NO.	CAPACITY (LBS)	SPEED (FPM)	LIFT (FT)	REEVING TYPE	CABLE (DIA)	HOIST MOTOR (HP @ RPM)	HEADROOM (A)	WHEEL BASE (E)	HOOK DRIFT	WEIGHT (LBS)
ED4-1013-MT	4,000	10	13	4PS	1/4	2 @ 1200	19"	27 7/8"	2 1/2"	700
ED4-1020-MT	4,000	10	20	4PS	1/4	2 @ 1200	19"	32 7/8"	3 3/4"	775
ED4-1027-MT	4,000	10	27	4PS	1/4	2 @ 1200	19"	37 7/8"	5"	850
ED4-1034-MT	4,000	10	34	4PS	1/4	2 @ 1200	19"	42 7/8"	6 3/8"	925
ED4-1041-MT	4,000	10	41	4PS	1/4	2 @ 1200	19"	47 7/8"	7 1/2"	1000
ED4-1513-MT	4,000	15	13	4PS	1/4	3 @ 1800	19"	27 7/8"	2 1/2"	700
ED4-1520-MT	4,000	15	20	4PS	1/4	3 @ 1800	19"	32 7/8"	3 3/4"	775
ED4-1527-MT	4,000	15	27	4PS	1/4	3 @ 1800	19"	37 7/8"	5"	850
ED4-1534-MT	4,000	15	34	4PS	1/4	3 @ 1800	19"	42 7/8"	6 3/8"	925
ED4-1541-MT	4,000	15	41	4PS	1/4	3 @ 1800	19"	47 7/8"	7 1/2"	1000
ED6-1013-MT	6,000	10	13	4PS	5/16	3 @ 1200	19"	27 7/8"	2 1/2"	700
ED6-1020-MT	6,000	10	20	4PS	5/16	3 @ 1200	19"	32 7/8"	3 3/4"	775
ED6-1027-MT	6,000	10	27	4PS	5/16	3 @ 1200	19"	37 7/8"	5"	850
ED6-1034-MT	6,000	10	34	4PS	5/16	3 @ 1200	19"	42 7/8"	6 3/8"	925
ED6-1041-MT	6,000	10	41	4PS	5/16	3 @ 1200	19"	47 7/8"	7 1/2"	1000
ED6-1513-MT	6,000	15	13	4PS	5/16	5 @ 1800	19"	27 7/8"	2 1/2"	700
ED6-1520-MT	6,000	15	20	4PS	5/16	5 @ 1800	19"	32 7/8"	3 3/4"	775
ED6-1527-MT	6,000	15	27	4PS	5/16	5 @ 1800	19"	37 7/8"	5"	850
ED6-1534-MT	6,000	15	34	4PS	5/16	5 @ 1800	19"	42 7/8"	6 3/8"	925
ED6-1541-MT	6,000	15	41	4PS	5/16	5 @ 1800	19"	47 7/8"	7 1/2"	1000

COMMON MODELS WITH MOTORIZED TROLLEY (MT) ONLY ABOVE – OTHERWISE BUILD TO ORDER