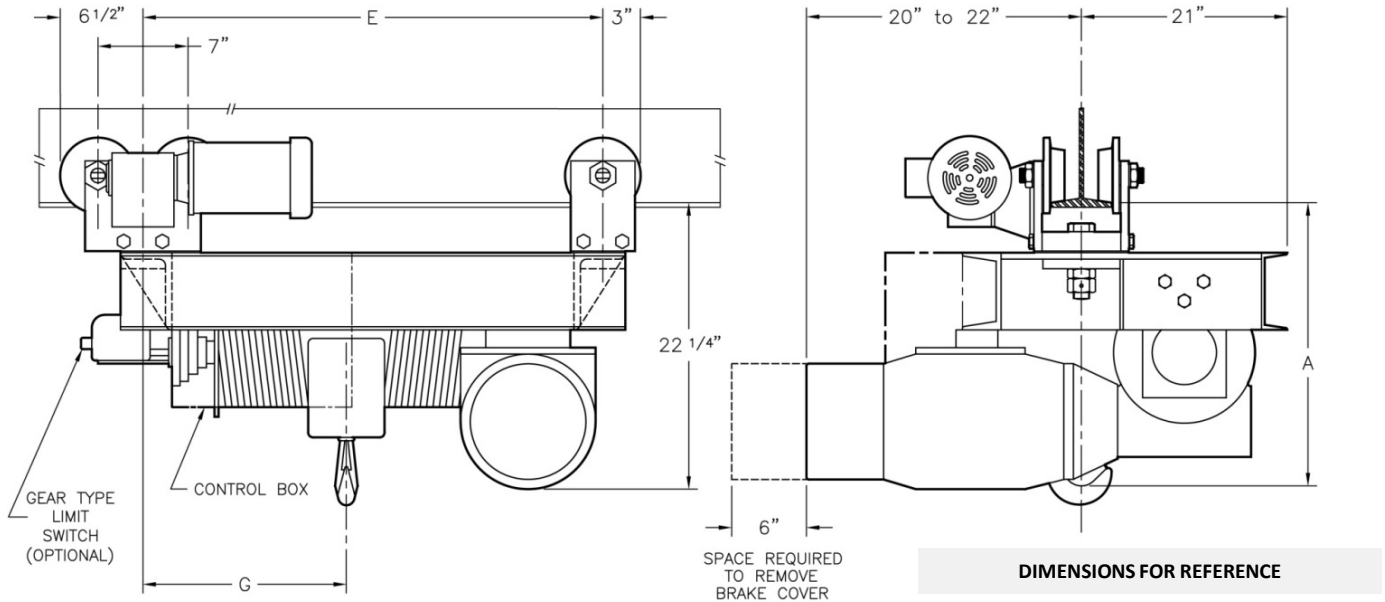


# SEMI-LOW HEADROOM MONORAIL HOIST 2 TO 3 TON (DOUBLE REEVED/TRUE VERTICAL LIFT)



LONGER LIFTS AS CUSTOM

STANDARD TROLLEY SPEEDS: 35 & 60 FPM

CATALOG NO.	CAPACITY (LBS)	SPEED (FPM)	LIFT (FT)	REEVING TYPE	CABLE (DIA)	HOIST MOTOR (HP @ RPM)	HEADROOM (A)	WHEEL BASE (E)	DIMENSION (G)	WEIGHT (LBS)
FES4-1512-MT	4,000	15	12	2PD	1/4	3 @ 1200	22"	35 1/4"	15 3/8"	825
FES4-1518-MT	4,000	15	18	2PD	1/4	3 @ 1200	22"	41 3/4"	18 5/8"	900
FES4-1528-MT	4,000	15	28	2PD	1/4	3 @ 1200	22"	52 1/4"	23 7/8"	975
FES4-1539-MT	4,000	15	39	2PD	1/4	3 @ 1200	22"	63 1/8"	29 1/4"	1050
FES4-1549-MT	4,000	15	49	2PD	1/4	3 @ 1200	22"	73 3/4"	34 5/8"	1125
FES4-2012-MT	4,000	20	12	2PD	1/4	5 @ 1200	22"	31 1/4"	13 1/2"	825
FES4-2018-MT	4,000	20	18	2PD	1/4	5 @ 1200	22"	35 3/4"	15 3/4"	900
FES4-2028-MT	4,000	20	28	2PD	1/4	5 @ 1200	22"	43 1/4"	19 1/2"	975
FES4-2039-MT	4,000	20	39	2PD	1/4	5 @ 1200	22"	50 3/4"	23 1/4"	1050
FES4-2049-MT	4,000	20	49	2PD	1/4	5 @ 1200	22"	58 1/4"	27"	1125
FES4-3012-MT	4,000	30	12	2PD	1/4	7 1/2 @ 1800	22"	31 1/4"	13 1/2"	825
FES4-3018-MT	4,000	30	18	2PD	1/4	7 1/2 @ 1800	22"	35 3/4"	15 3/4"	900
FES4-3028-MT	4,000	30	28	2PD	1/4	7 1/2 @ 1800	22"	43 1/4"	19 1/2"	975
FES4-3039-MT	4,000	30	39	2PD	1/4	7 1/2 @ 1800	22"	50 3/4"	23 1/4"	1050
FES4-3049-MT	4,000	30	49	2PD	1/4	7 1/2 @ 1800	22"	58 1/4"	27"	1125
FES6-1512-MT	6,000	15	12	2PD	5/16	5 @ 1200	22"	35 1/4"	15 3/8"	825
FES6-1518-MT	6,000	15	18	2PD	5/16	5 @ 1200	22"	41 3/4"	18 5/8"	900
FES6-1528-MT	6,000	15	28	2PD	5/16	5 @ 1200	22"	52 1/4"	23 7/8"	975
FES6-1539-MT	6,000	15	39	2PD	5/16	5 @ 1200	22"	63 1/8"	29 1/4"	1050
FES6-1549-MT	6,000	15	49	2PD	5/16	5 @ 1200	22"	73 3/4"	34 5/8"	1125
FES6-2012-MT	6,000	20	12	2PD	5/16	6 @ 1200	22"	31 1/4"	13 1/2"	825
FES6-2018-MT	6,000	20	18	2PD	5/16	6 @ 1200	22"	35 3/4"	15 3/4"	900
FES6-2028-MT	6,000	20	28	2PD	5/16	6 @ 1200	22"	43 1/4"	19 1/2"	975
FES6-2039-MT	6,000	20	39	2PD	5/16	6 @ 1200	22"	50 3/4"	23 1/4"	1050
FES6-2049-MT	6,000	20	49	2PD	5/16	6 @ 1200	22"	58 1/4"	27"	1125
FES6-3012-MT	6,000	30	12	2PD	5/16	10 @ 1800	22"	31 1/4"	13 1/2"	825
FES6-3018-MT	6,000	30	18	2PD	5/16	10 @ 1800	22"	35 3/4"	15 3/4"	900
FES6-3028-MT	6,000	30	28	2PD	5/16	10 @ 1800	22"	43 1/4"	19 1/2"	975
FES6-3039-MT	6,000	30	39	2PD	5/16	10 @ 1800	22"	50 3/4"	23 1/4"	1050
FES6-3049-MT	6,000	30	49	2PD	5/16	10 @ 1800	22"	58 1/4"	27"	1125

COMMON MODELS WITH MOTORIZED TROLLEY (MT) ONLY ABOVE – OTHERWISE BUILD TO ORDER