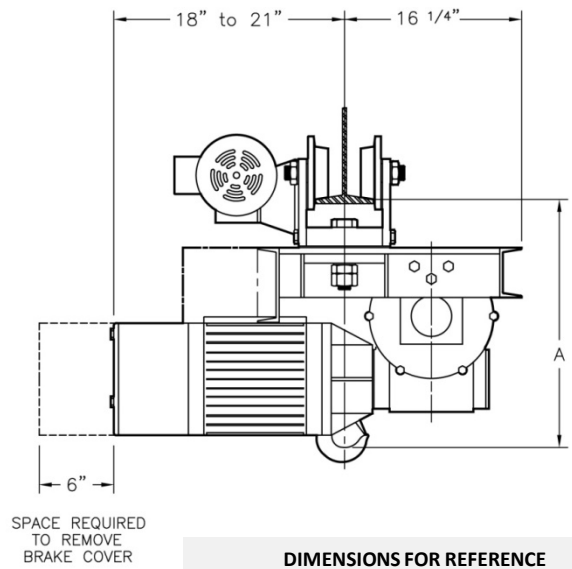
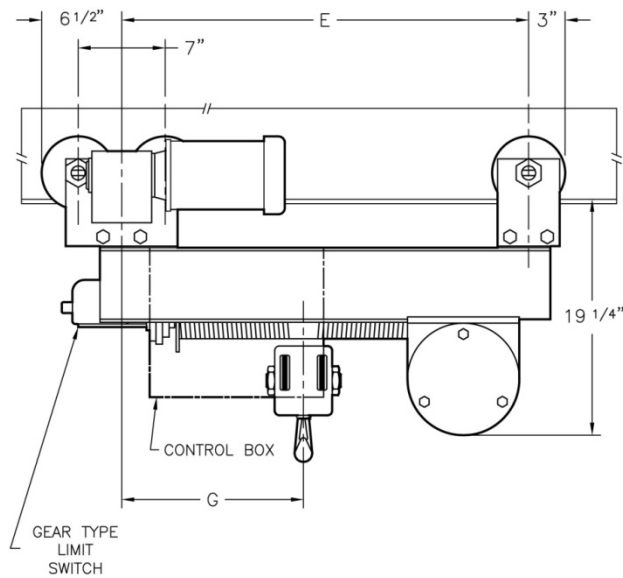


SEMI-LOW HEADROOM MONORAIL HOIST

1 TO 1.5 TON (DOUBLE REEVED/TRUE VERTICAL LIFT)



DIMENSIONS FOR REFERENCE

LONGER LIFTS AS CUSTOM

STANDARD TROLLEY SPEEDS: 35 & 60 FPM

| CATALOG NO. | CAPACITY (LBS) | SPEED (FPM) | LIFT (FT) | REEVING TYPE | CABLE (DIA) | HOIST MOTOR (HP @ RPM) | HEADRM (A) | WHEEL BASE (E) | DIMENSION (G) | WEIGHT (LBS) |
|--------------|----------------|-------------|-----------|--------------|-------------|------------------------|------------|----------------|---------------|--------------|
| EES2-1512-MT | 2,000 | 15 | 12 | 2PD | 1/4 | 2 @ 1200 | 20" | 30 3/4" | 13 3/4" | 750 |
| EES2-1519-MT | 2,000 | 15 | 19 | 2PD | 1/4 | 2 @ 1200 | 20" | 36 3/4" | 16 3/4" | 825 |
| EES2-1526-MT | 2,000 | 15 | 26 | 2PD | 1/4 | 2 @ 1200 | 20" | 43 3/4" | 20 1/4" | 900 |
| EES2-1533-MT | 2,000 | 15 | 33 | 2PD | 1/4 | 2 @ 1200 | 20" | 49 3/4" | 23 1/4" | 975 |
| EES2-1540-MT | 2,000 | 15 | 40 | 2PD | 1/4 | 2 @ 1200 | 20" | 55 3/4" | 26 1/4" | 1050 |
| EES2-2012-MT | 2,000 | 20 | 12 | 2PD | 1/4 | 2 @ 1200 | 20" | 27 3/4" | 22 1/4" | 750 |
| EES2-2019-MT | 2,000 | 20 | 19 | 2PD | 1/4 | 2 @ 1200 | 20" | 32 3/4" | 19 3/4" | 825 |
| EES2-2026-MT | 2,000 | 20 | 26 | 2PD | 1/4 | 2 @ 1200 | 20" | 37 3/4" | 17 1/4" | 900 |
| EES2-2033-MT | 2,000 | 20 | 33 | 2PD | 1/4 | 2 @ 1200 | 20" | 42 3/4" | 14 3/4" | 975 |
| EES2-2040-MT | 2,000 | 20 | 40 | 2PD | 1/4 | 2 @ 1200 | 20" | 47 3/4" | 12 1/4" | 1050 |
| EES2-3012-MT | 2,000 | 30 | 12 | 2PD | 1/4 | 3 @ 1800 | 20" | 27 3/4" | 22 1/4" | 750 |
| EES2-3019-MT | 2,000 | 30 | 19 | 2PD | 1/4 | 3 @ 1800 | 20" | 32 3/4" | 19 3/4" | 825 |
| EES2-3026-MT | 2,000 | 30 | 26 | 2PD | 1/4 | 3 @ 1800 | 20" | 37 3/4" | 17 1/4" | 900 |
| EES2-3033-MT | 2,000 | 30 | 33 | 2PD | 1/4 | 3 @ 1800 | 20" | 42 3/4" | 14 3/4" | 975 |
| EES2-3040-MT | 2,000 | 30 | 40 | 2PD | 1/4 | 3 @ 1800 | 20" | 47 3/4" | 12 1/4" | 1050 |
| EES3-1512-MT | 3,000 | 15 | 12 | 2PD | 1/4 | 3 @ 1200 | 20" | 30 3/4" | 13 3/4" | 750 |
| EES3-1519-MT | 3,000 | 15 | 19 | 2PD | 1/4 | 3 @ 1200 | 20" | 36 3/4" | 16 3/4" | 825 |
| EES3-1526-MT | 3,000 | 15 | 26 | 2PD | 1/4 | 3 @ 1200 | 20" | 43 3/4" | 20 1/4" | 900 |
| EES3-1533-MT | 3,000 | 15 | 33 | 2PD | 1/4 | 3 @ 1200 | 20" | 49 3/4" | 23 1/4" | 975 |
| EES3-1540-MT | 3,000 | 15 | 40 | 2PD | 1/4 | 3 @ 1200 | 20" | 55 3/4" | 26 1/4" | 1050 |
| EES3-2012-MT | 3,000 | 20 | 12 | 2PD | 1/4 | 3 @ 1200 | 20" | 27 3/4" | 22 1/4" | 750 |
| EES3-2019-MT | 3,000 | 20 | 19 | 2PD | 1/4 | 3 @ 1200 | 20" | 32 3/4" | 19 3/4" | 825 |
| EES3-2026-MT | 3,000 | 20 | 26 | 2PD | 1/4 | 3 @ 1200 | 20" | 37 3/4" | 17 1/4" | 900 |
| EES3-2033-MT | 3,000 | 20 | 33 | 2PD | 1/4 | 3 @ 1200 | 20" | 42 3/4" | 14 3/4" | 975 |
| EES3-2040-MT | 3,000 | 20 | 40 | 2PD | 1/4 | 3 @ 1200 | 20" | 47 3/4" | 12 1/4" | 1050 |
| EES3-3012-MT | 3,000 | 30 | 12 | 2PD | 1/4 | 5 @ 1800 | 20" | 27 3/4" | 22 1/4" | 750 |
| EES3-3019-MT | 3,000 | 30 | 19 | 2PD | 1/4 | 5 @ 1800 | 20" | 32 3/4" | 19 3/4" | 825 |
| EES3-3026-MT | 3,000 | 30 | 26 | 2PD | 1/4 | 5 @ 1800 | 20" | 37 3/4" | 17 1/4" | 900 |
| EES3-3033-MT | 3,000 | 30 | 33 | 2PD | 1/4 | 5 @ 1800 | 20" | 42 3/4" | 14 3/4" | 975 |
| EES3-3040-MT | 3,000 | 30 | 40 | 2PD | 1/4 | 5 @ 1800 | 20" | 47 3/4" | 12 1/4" | 1050 |

COMMON MODELS WITH MOTORIZED TROLLEY (MT) ONLY ABOVE – OTHERWISE BUILD TO ORDER