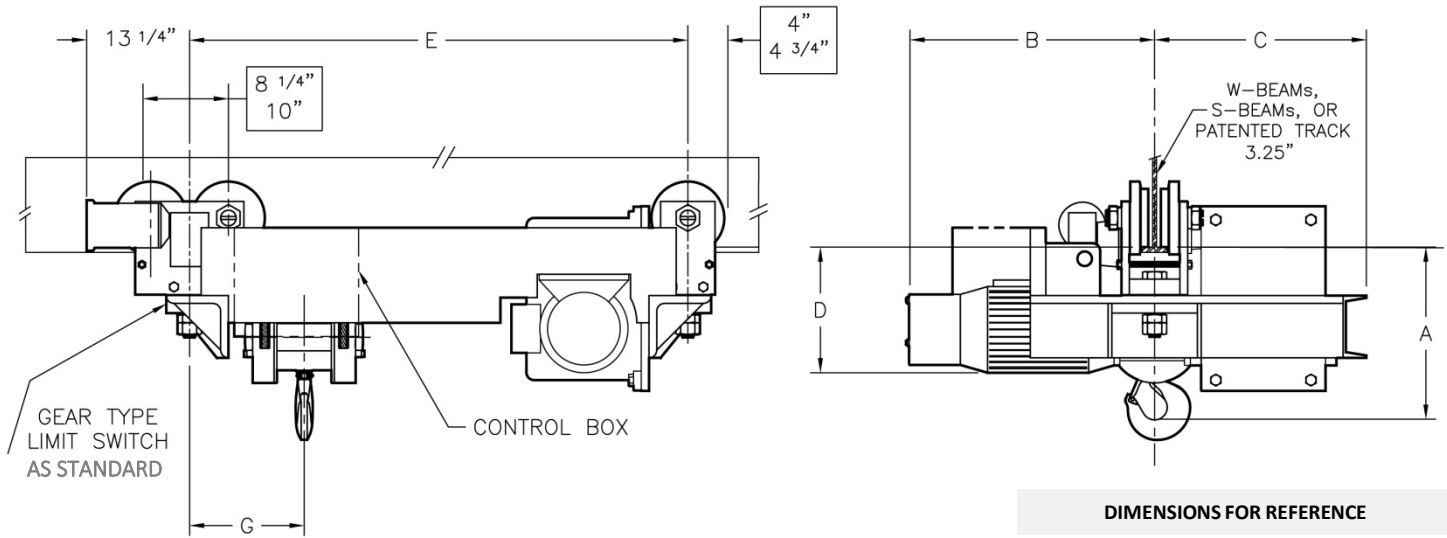


ULTRA-LOW HEADROOM MONORAIL HOIST

7.5 TO 10 TON (SINGLE REEVED)



LONGER LIFTS AS CUSTOM

MAX FLANGE: 10"

STANDARD TROLLEY SPEEDS: 35 & 60 FPM

CATALOG NO.	CAPACITY (LBS)	SPEED (FPM)	LIFT (FT)	REEVING TYPE	CABLE (DIA)	MOTOR (HP @ RPM)	HEADRM (A)	(B)	(C)	(D)	WB (E)	(G)	HOOK DRIFT	WEIGHT (LBS)
GE15-1015-MT	15,000	10	15	4PS	7/16	7 1/2 @ 1200	24"	28"	25"	15"	53"	13 3/4"	4"	1950
GE15-1020-MT	15,000	10	20	4PS	7/16	7 1/2 @ 1200	24"	28"	25"	15"	58"	13 3/4"	5"	2100
GE15-1025-MT	15,000	10	25	4PS	7/16	7 1/2 @ 1200	24"	28"	25"	15"	63"	13 3/4"	6"	2250
GE15-1035-MT	15,000	10	35	4PS	7/16	7 1/2 @ 1200	24"	28"	25"	15"	73"	13 3/4"	9"	2400
GE15-1050-MT	15,000	10	50	4PS	7/16	7 1/2 @ 1200	24"	28"	25"	15"	88"	13 3/4"	12"	2550
GE15-1515-MT	15,000	15	15	4PS	7/16	12 @ 1800	24"	30"	25"	16"	54 5/8"	13 3/4"	4"	1950
GE15-1520-MT	15,000	15	20	4PS	7/16	12 @ 1800	24"	30"	25"	16"	59 5/8"	13 3/4"	5"	2100
GE15-1525-MT	15,000	15	25	4PS	7/16	12 @ 1800	24"	30"	25"	16"	64 5/8"	13 3/4"	6"	2250
GE15-1535-MT	15,000	15	35	4PS	7/16	12 @ 1800	24"	30"	25"	16"	74 5/8"	13 3/4"	9"	2400
GE15-1550-MT	15,000	15	50	4PS	7/16	12 @ 1800	24"	30"	25"	16"	89 5/8"	13 3/4"	12"	2550
GE20-1015-MT	20,000	10	15	4PS	1/2	10 @ 1200	27"	28"	29"	16"	59 1/4"	14 3/4"	4"	2750
GE20-1020-MT	20,000	10	20	4PS	1/2	10 @ 1200	27"	28"	29"	16"	65 1/4"	14 3/4"	5"	2925
GE20-1025-MT	20,000	10	25	4PS	1/2	10 @ 1200	27"	28"	29"	16"	70 1/4"	14 3/4"	6"	3100
GE20-1035-MT	20,000	10	35	4PS	1/2	10 @ 1200	27"	28"	29"	16"	80 1/4"	14 3/4"	9"	3275
GE20-1050-MT	20,000	10	50	4PS	1/2	10 @ 1200	27"	28"	29"	16"	96 1/4"	14 3/4"	13"	3450
GE20-1515-MT	20,000	15	15	4PS	1/2	15 @ 1800	27"	33"	29"	17"	60 1/2"	14 3/4"	4"	2950
GE20-1520-MT	20,000	15	20	4PS	1/2	15 @ 1800	27"	33"	29"	17"	66 1/2"	14 3/4"	5"	3125
GE20-1525-MT	20,000	15	25	4PS	1/2	15 @ 1800	27"	33"	29"	17"	71 1/2"	14 3/4"	6"	3300
GE20-1535-MT	20,000	15	35	4PS	1/2	15 @ 1800	27"	33"	29"	17"	81 1/2"	14 3/4"	9"	3475
GE20-1550-MT	20,000	15	50	4PS	1/2	15 @ 1800	27"	33"	29"	17"	97 1/2"	14 3/4"	13"	3650

COMMON MODELS WITH MOTORIZED TROLLEY (MT) ONLY ABOVE – OTHERWISE BUILD TO ORDER