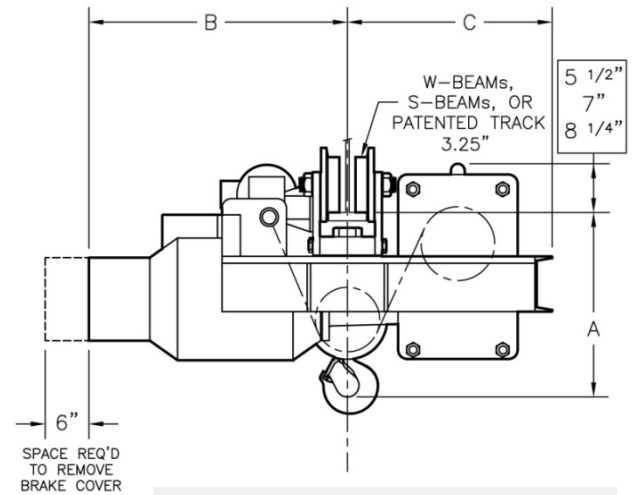
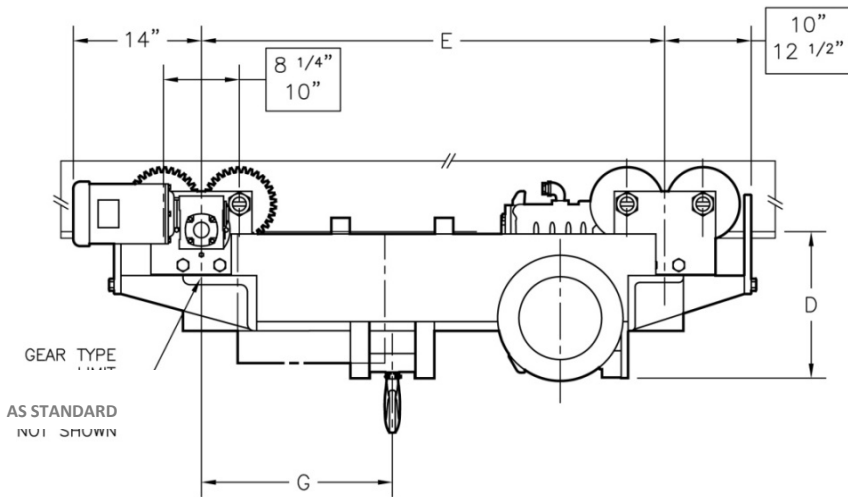


# ULTRA-LOW HEADROOM MONORAIL HOIST

## 4 TO 10 TON (DOUBLE REEVED/TRUE VERTICAL LIFT)



DIMENSIONS FOR REFERENCE

LONGER LIFTS AS CUSTOM

MAX FLANGE: 10"

STANDARD TROLLEY SPEEDS: 35 & 60 FPM

CATALOG NO.	CAPACITY (LBS)	SPEED (FPM)	LIFT (FT)	REEVING TYPE	CABLE (DIA)	MOTOR (HP @ RPM)	HEADROOM (A)	(B)	(C)	(D)	WB (E)	(G)	WEIGHT (LBS)
GEE8-2015-MT	8,000	20	15	2PD	3/8	7 1/2" @ 1200	20"	28"	22"	16"	59"	23 3/4"	1750
GEE8-2020-MT	8,000	20	20	2PD	3/8	7 1/2" @ 1200	20"	28"	22"	16"	62 1/2"	26 1/2"	1875
GEE8-2025-MT	8,000	20	25	2PD	3/8	7 1/2" @ 1200	20"	28"	22"	16"	68"	29 1/4"	2000
GEE8-2035-MT	8,000	20	35	2PD	3/8	7 1/2" @ 1200	20"	28"	22"	16"	79"	34 3/4"	2125
GEE8-2050-MT	8,000	20	50	2PD	3/8	7 1/2" @ 1200	20"	28"	22"	16"	95"	42 3/4"	2250
GEE10-2015-MT	10,000	20	15	2PD	3/8	10 @ 1200	20"	28"	22"	16"	59"	23 3/4"	1950
GEE10-2020-MT	10,000	20	20	2PD	3/8	10 @ 1200	20"	28"	22"	16"	62 1/2"	26 1/2"	2100
GEE10-2025-MT	10,000	20	25	2PD	3/8	10 @ 1200	20"	28"	22"	16"	68"	29 1/4"	2250
GEE10-2035-MT	10,000	20	35	2PD	3/8	10 @ 1200	20"	28"	22"	16"	79"	34 3/4"	2400
GEE10-2050-MT	10,000	20	50	2PD	3/8	10 @ 1200	20"	28"	22"	16"	95"	42 3/4"	2550
GEE15-2215-MT	15,000	22	15	2PD	7/16	15 @ 1200	25"	35"	29"	17"	60 3/8"	24"	2950
GEE15-2220-MT	15,000	22	20	2PD	7/16	15 @ 1200	25"	35"	29"	17"	65 3/8"	26 1/2"	3125
GEE15-2225-MT	15,000	22	25	2PD	7/16	15 @ 1200	25"	35"	29"	17"	70 3/8"	29"	3300
GEE15-2235-MT	15,000	22	35	2PD	7/16	15 @ 1200	25"	35"	29"	17"	80 3/8"	34"	3475
GEE15-1850-MT	15,000	22	50	2PD	7/16	15 @ 1200	25"	35"	29"	17"	95 3/8"	41 1/2"	3650
GEE20-2115-MT	20,000	21	15	2PD	1/2	20 @ 1200	28"	43"	30"	19"	68 1/2"	26 3/8"	3450
GEE20-2120-MT	20,000	21	20	2PD	1/2	20 @ 1200	28"	43"	30"	19"	74"	29 1/8"	3650
GEE20-2125-MT	20,000	21	25	2PD	1/2	20 @ 1200	28"	43"	30"	19"	79"	31 5/8"	3850
GEE20-2135-MT	20,000	21	35	2PD	1/2	20 @ 1200	28"	43"	30"	19"	89 1/2"	36 7/8"	4050
GEE20-2150-MT	20,000	21	50	2PD	1/2	20 @ 1200	28"	43"	30"	19"	105"	44 5/8"	4250

COMMON MODELS WITH MOTORIZED TROLLEY (MT) ONLY ABOVE – OTHERWISE BUILD TO ORDER