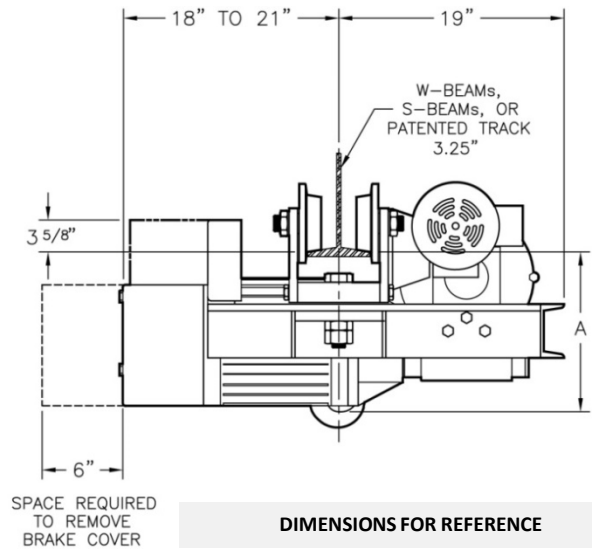
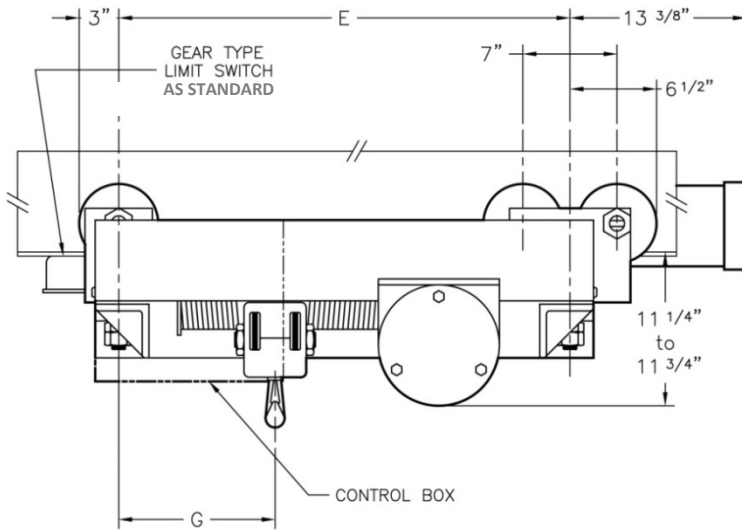


ULTRA-LOW HEADROOM MONORAIL HOIST

1 TO 1.5 TON (DOUBLE REEVED / TRUE VERTICAL LIFT)



DIMENSIONS FOR REFERENCE

LONGER LIFTS AS CUSTOM

MAX FLANGE SIZE: 6 1/2"

STANDARD TROLLEY SPEEDS: 35 & 60 FPM

CATALOG NO.	CAPACITY (LBS)	SPEED (FPM)	LIFT (FT)	REEVING TYPE	CABLE (DIA)	HOIST MOTOR (HP @ RPM)	HEADROOM (A)	WHEEL BASE (E)	DIMENSION (G)	WEIGHT (LBS)
EE2-1512-MT	2,000	15	12	2PD	1/4	2 @ 1200	12"	35 1/4"	13 3/4"	750
EE2-1519-MT	2,000	15	19	2PD	1/4	2 @ 1200	12"	41 1/4"	16 3/4"	825
EE2-1526-MT	2,000	15	26	2PD	1/4	2 @ 1200	12"	48 1/4"	20 1/4"	900
EE2-1533-MT	2,000	15	33	2PD	1/4	2 @ 1200	12"	54 1/4"	23 1/4"	975
EE2-1540-MT	2,000	15	40	2PD	1/4	2 @ 1200	12"	60 1/4"	26 1/4"	1050
EE2-2012-MT	2,000	20	12	2PD	1/4	2 @ 1200	12"	32 1/4"	12 1/4"	750
EE2-2019-MT	2,000	20	19	2PD	1/4	2 @ 1200	12"	37 1/4"	14 3/4"	825
EE2-2026-MT	2,000	20	26	2PD	1/4	2 @ 1200	12"	42 1/4"	17 1/4"	900
EE2-2033-MT	2,000	20	33	2PD	1/4	2 @ 1200	12"	47 1/4"	19 3/4"	975
EE2-2040-MT	2,000	20	40	2PD	1/4	2 @ 1200	12"	52 1/4"	22 1/4"	1050
EE2-3012-MT	2,000	30	12	2PD	1/4	3 @ 1800	12"	32 1/4"	12 1/4"	750
EE2-3019-MT	2,000	30	19	2PD	1/4	3 @ 1800	12"	37 1/4"	14 3/4"	825
EE2-3026-MT	2,000	30	26	2PD	1/4	3 @ 1800	12"	42 1/4"	17 1/4"	900
EE2-3033-MT	2,000	30	33	2PD	1/4	3 @ 1800	12"	47 1/4"	19 3/4"	975
EE2-3040-MT	2,000	30	40	2PD	1/4	3 @ 1800	12"	52 1/4"	22 1/4"	1050
EE3-1512-MT	3,000	15	12	2PD	1/4	3 @ 1200	12"	35 1/4"	13 3/4"	750
EE3-1519-MT	3,000	15	19	2PD	1/4	3 @ 1200	12"	41 1/4"	16 3/4"	825
EE3-1526-MT	3,000	15	26	2PD	1/4	3 @ 1200	12"	48 1/4"	20 1/4"	900
EE3-1533-MT	3,000	15	33	2PD	1/4	3 @ 1200	12"	54 1/4"	23 1/4"	975
EE3-1540-MT	3,000	15	40	2PD	1/4	3 @ 1200	12"	60 1/4"	26 1/4"	1050
EE3-2012-MT	3,000	20	12	2PD	1/4	3 @ 1200	12"	32 1/4"	12 1/4"	750
EE3-2019-MT	3,000	20	19	2PD	1/4	3 @ 1200	12"	37 1/4"	14 3/4"	825
EE3-2026-MT	3,000	20	26	2PD	1/4	3 @ 1200	12"	42 1/4"	17 1/4"	900
EE3-2033-MT	3,000	20	33	2PD	1/4	3 @ 1200	12"	47 1/4"	19 3/4"	975
EE3-2040-MT	3,000	20	40	2PD	1/4	3 @ 1200	12"	52 1/4"	22 1/4"	1050
EE3-3012-MT	3,000	30	12	2PD	1/4	5 @ 1800	12"	32 1/4"	12 1/4"	750
EE3-3019-MT	3,000	30	19	2PD	1/4	5 @ 1800	12"	37 1/4"	14 3/4"	825
EE3-3026-MT	3,000	30	26	2PD	1/4	5 @ 1800	12"	42 1/4"	17 1/4"	900
EE3-3033-MT	3,000	30	33	2PD	1/4	5 @ 1800	12"	47 1/4"	19 3/4"	975
EE3-3040-MT	3,000	30	40	2PD	1/4	5 @ 1800	12"	52 1/4"	22 1/4"	1050

COMMON MODELS WITH MOTORIZED TROLLEY (MT) ONLY ABOVE – OTHERWISE BUILD TO ORDER