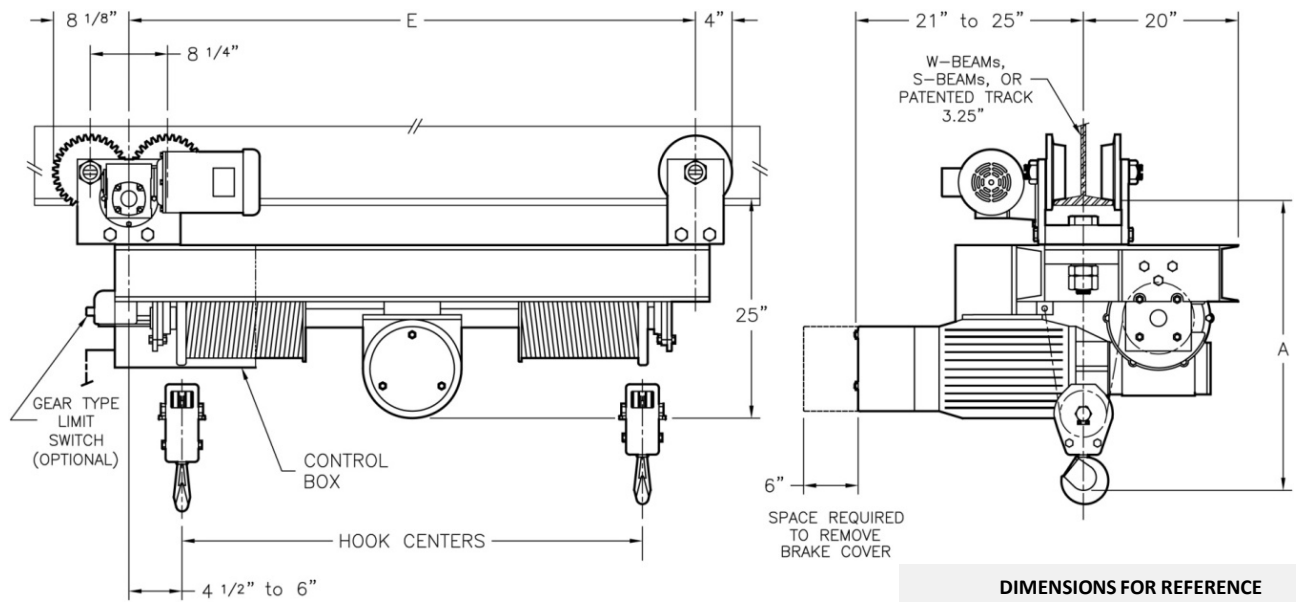


TWIN HOOK MONORAIL HOIST

4 TO 7.5 TON (SINGLE REEVED)



DIMENSIONS FOR REFERENCE

TRUE VERTICAL LIFT (WITH EQUAL HOOK LOADS)

STANDARD TROLLEY SPEEDS: 35 & 60 FPM

CATALOG NO.	CAPACITY (LBS)	SPEED (FPM)	LIFT (FT)	REEVING TYPE	CABLE (DIA)	HOIST MOTOR (HP @ RPM)	HEADRM (A)	WHEEL BASE (MIN)	HOOK CENTERS (MIN)	WEIGHT (LBS)
FB8-1011-MT	8,000	10	11	4PS	1/4	4 @ 1200	31"	42"	33"	1375
FB8-1018-MT	8,000	10	18	4PS	1/4	4 @ 1200	31"	52"	43"	1475
FB8-1025-MT	8,000	10	25	4PS	1/4	4 @ 1200	31"	62"	53"	1575
FB8-1511-MT	8,000	15	11	4PS	1/4	6 @ 1800	31"	42"	33"	1375
FB8-1518-MT	8,000	15	18	4PS	1/4	6 @ 1800	31"	52"	43"	1475
FB8-1525-MT	8,000	15	25	4PS	1/4	6 @ 1800	31"	62"	53"	1575
FB8-1532-MT	8,000	15	32	4PS	1/4	6 @ 1800	31"	72"	63"	1675
FB8-1539-MT	8,000	15	39	4PS	1/4	6 @ 1800	31"	82"	73"	1775
FB8-1546-MT	8,000	15	46	4PS	1/4	6 @ 1800	31"	92"	83"	1875
FB10-1011-MT	10,000	10	11	4PS	5/16	5 @ 1200	31"	42"	33"	1375
FB10-1018-MT	10,000	10	18	4PS	5/16	5 @ 1200	31"	52"	43"	1475
FB10-1025-MT	10,000	10	25	4PS	5/16	5 @ 1200	31"	62"	53"	1575
FB10-1511-MT	10,000	15	11	4PS	5/16	7-1/2 @ 1800	31"	42"	33"	1375
FB10-1518-MT	10,000	15	18	4PS	5/16	7-1/2 @ 1800	31"	52"	43"	1475
FB10-1525-MT	10,000	15	25	4PS	5/16	7-1/2 @ 1800	31"	62"	53"	1575
FB10-1532-MT	10,000	15	32	4PS	5/16	7-1/2 @ 1800	31"	72"	63"	1675
FB10-1539-MT	10,000	15	39	4PS	5/16	7-1/2 @ 1800	31"	82"	73"	1775
FB10-1546-MT	10,000	15	46	4PS	5/16	7-1/2 @ 1800	31"	92"	83"	1875
FB12-1011-MT	12,000	10	11	4PS	5/16	6 @ 1200	31"	42"	33"	1375
FB12-1018-MT	12,000	10	18	4PS	5/16	6 @ 1200	31"	52"	43"	1475
FB12-1025-MT	12,000	10	25	4PS	5/16	6 @ 1200	31"	62"	53"	1575
FB12-1511-MT	12,000	15	11	4PS	5/16	10 @ 1800	31"	42"	33"	1375
FB12-1518-MT	12,000	15	18	4PS	5/16	10 @ 1800	31"	52"	43"	1475
FB12-1525-MT	12,000	15	25	4PS	5/16	10 @ 1800	31"	62"	53"	1575
FB12-1532-MT	12,000	15	32	4PS	5/16	10 @ 1800	31"	72"	63"	1675
FB12-1539-MT	12,000	15	39	4PS	5/16	10 @ 1800	31"	82"	73"	1775
FB12-1546-MT	12,000	15	46	4PS	5/16	10 @ 1800	31"	92"	83"	1875
FB15-1010-MT	15,000	10	10	4PS	3/8	7-1/2 @ 1200	37"	51 1/4"	40"	2275
FB15-1017-MT	15,000	10	17	4PS	3/8	7-1/2 @ 1200	37"	58 3/4"	47 1/2"	2425
FB15-1024-MT	15,000	10	24	4PS	3/8	7-1/2 @ 1200	37"	66 1/4"	55"	2575

COMMON MODELS WITH MOTORIZED TROLLEY (MT) ONLY ABOVE – OTHERWISE BUILD TO ORDER