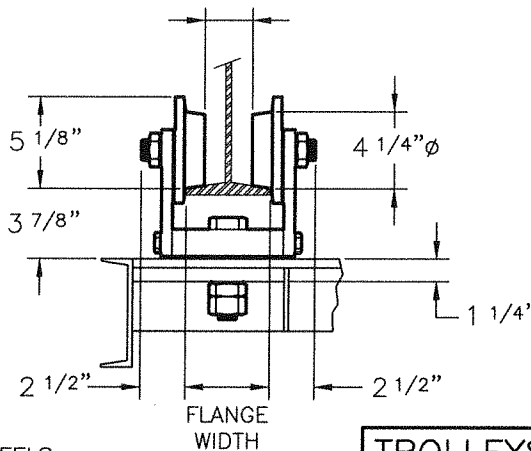


GEAR TYPE
LIMIT
SWITCH
(OPTIONAL)

CONTROL BOX

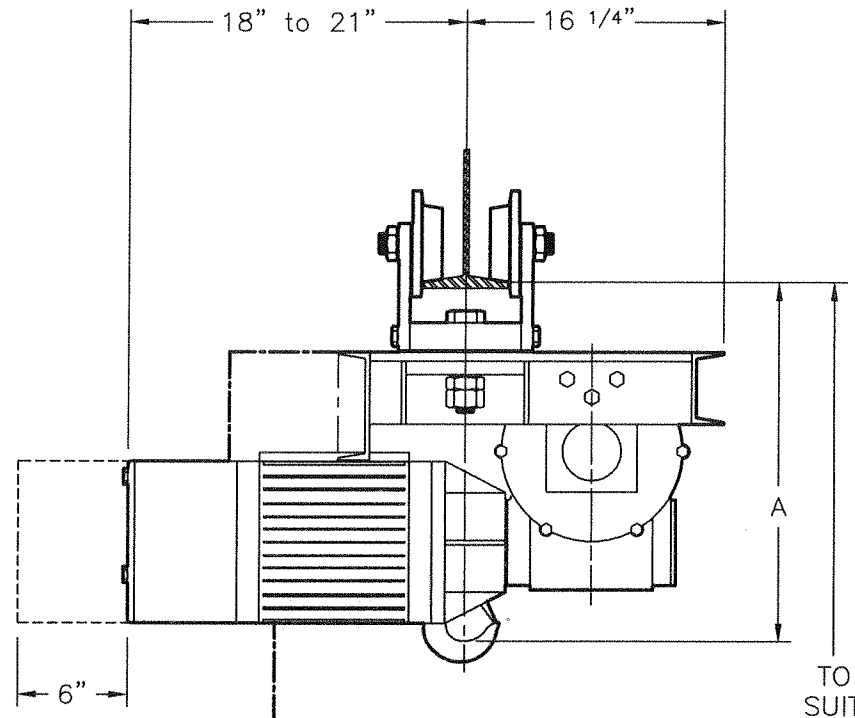
G

FLANGE WIDTH
(LESS)
* 2 1/8"



SPACE REQUIRED
TO REMOVE
BRAKE COVER

TROLLEYS



ALL DIMENSIONS ARE
FOR REFERENCE ONLY
AND SUBJECT TO CHANGE
WITHOUT NOTICE

FOR LETTER DESIGNATIONS - SEE CATALOG

SATURN
OVERHEAD EQUIPMENT, LLC

1 to 2 TON SEMI-LOW HEADROOM
MONORAIL HOIST (EES TYPE)

CONTACT SATURN:

TEL: 1-800-631-4473
www.saturnoe.com

DRAWING NO.:

WB-28-PT

* LESS 1 5/8" FOR PATENTED TRACK WITH NARROW WHEELS