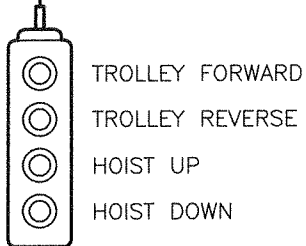
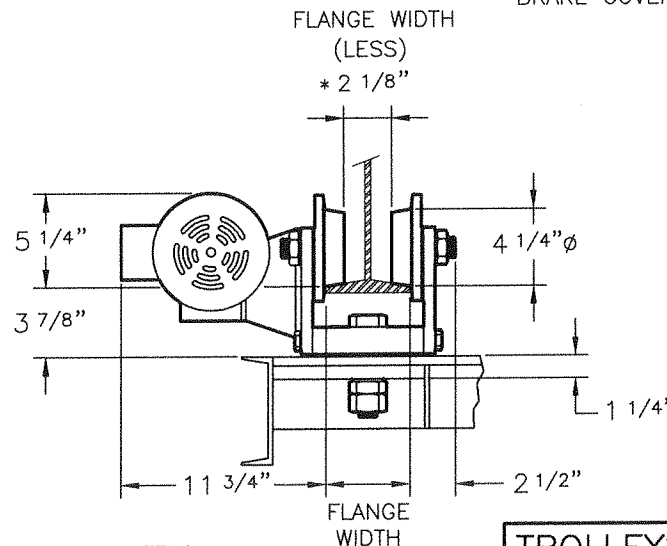


SPACE REQUIRED
TO REMOVE
BRAKE COVER

ALL DIMENSIONS ARE
FOR REFERENCE ONLY
AND SUBJECT TO CHANGE
WITHOUT NOTICE



4-BUTTON
P.B. STATION
(OPTIONAL)



TROLLEYS

FOR LETTER DESIGNATIONS - SEE CATALOG

SATURN
OVERHEAD EQUIPMENT, LLC

1 to 2 TON SEMI-LOW HEADROOM
MONORAIL HOIST (EES TYPE)

CONTACT SATURN:
TEL: 1-800-631-4473
www.saturnoe.com

DRAWING NO.:
WB-28

* LESS 1 5/8" FOR PATENTED TRACK WITH NARROW WHEELS