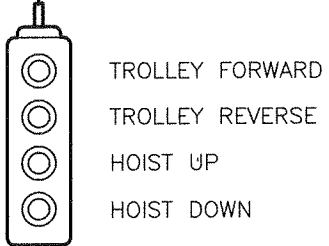
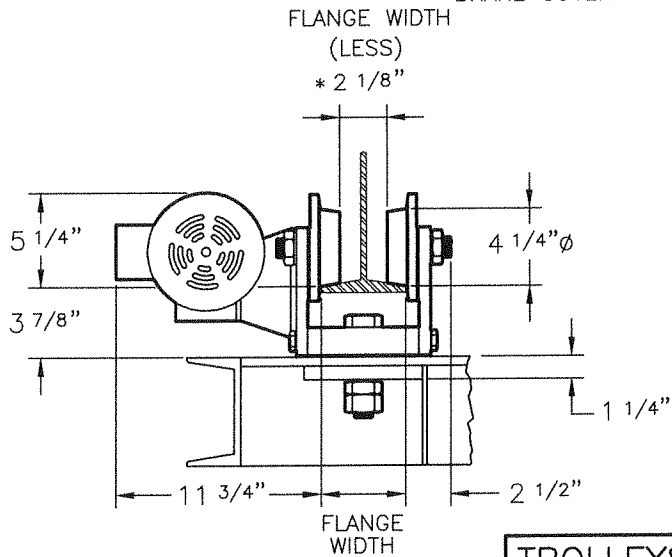


ALL DIMENSIONS ARE FOR REFERENCE ONLY AND SUBJECT TO CHANGE WITHOUT NOTICE



4-BUTTON P.B. STATION (OPTIONAL)



TROLLEYS

FOR LETTER DESIGNATIONS - SEE CATALOG

SATURN OVERHEAD EQUIPMENT, LLC

2 to 3 TON SEMI-LOW HEADROOM MONORAIL HOIST (FES TYPE)

CONTACT SATURN:
TEL: 1-800-631-4473
www.saturnoe.com

DRAWING NO.:
WB-27

* LESS 1 5/8" FOR PATENTED TRACK WITH NARROW WHEELS