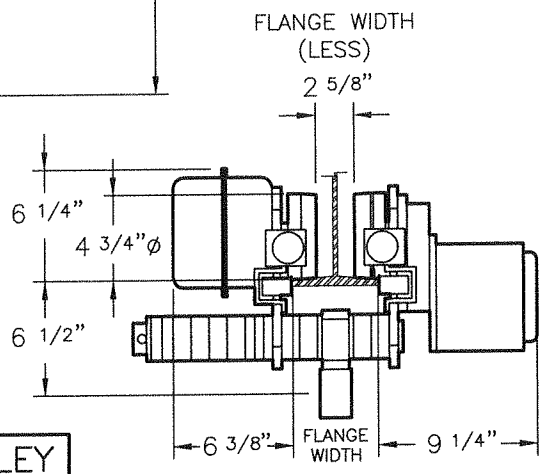


TROLLEY FORWARD
 TROLLEY REVERSE
 HOIST UP
 HOIST DOWN

P.B. STATION

ALL DIMENSIONS ARE
 FOR REFERENCE ONLY
 AND SUBJECT TO CHANGE
 WITHOUT NOTICE



TROLLEY

3 TON CHAIN HOIST W. MOTORIZED TROLLEY	
CONTACT SATURN: TEL: 1-800-631-4473 www.saturnoe.com	DRAWING NO.: WB-26