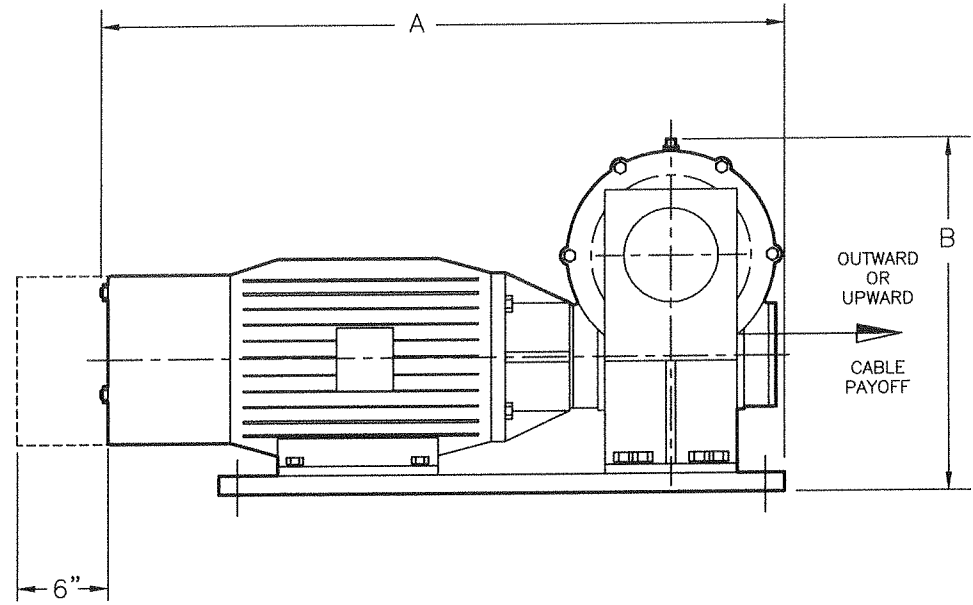
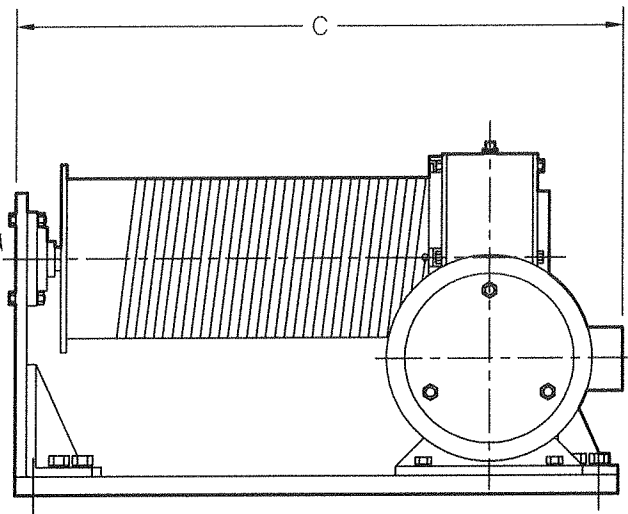


GEAR TYPE LIMIT SWITCH
 STANDARD ON ALL WINCHES (NOT SHOWN)
 (ADD 7-1/2" to "C" DIMENSION)



SPACE REQUIRED
 TO REMOVE
 BRAKE COVER

ALL DIMENSIONS ARE
 FOR REFERENCE ONLY
 AND SUBJECT TO CHANGE
 WITHOUT NOTICE

SATURN 
 OVERHEAD EQUIPMENT . LLC

1000 to 3500 LB BASE MOUNTED
 SINGLE LINE WINCHES

CONTACT SATURN:
 TEL: 1-800-631-4473
 www.saturnoe.com

DRAWING NO.:
 WB-22