

ALL DIMENSIONS ARE FOR REFERENCE ONLY AND SUBJECT TO CHANGE WITHOUT NOTICE

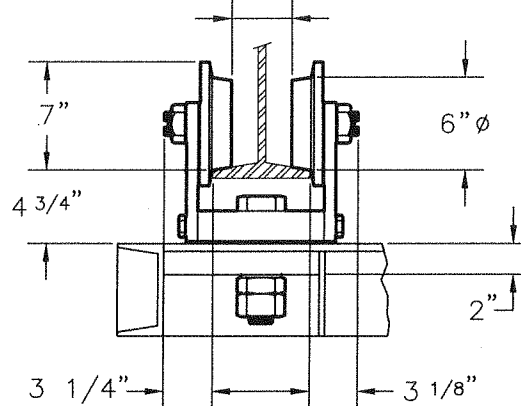
GEAR TYPE LIMIT SWITCH (OPTIONAL)

CONTROL BOX

- TROLLEY FORWARD
- TROLLEY REVERSE
- HOIST UP
- HOIST DOWN

P.B. STATION (OPTIONAL)

FLANGE WIDTH (LESS) \*2 1/2"



FLANGE WIDTH

TROLLEYS

FOR LETTER DESIGNATIONS - SEE CATALOG

**SATURN**   
OVERHEAD EQUIPMENT, LLC

4 to 7.5 TON SINGLE HOOK MONORAIL HOISTS (A-TYPE)

CONTACT SATURN:  
TEL: 1-800-631-4473  
www.saturnoe.com

DRAWING NO.:  
WB-2-PT

\* LESS 1 5/8" FOR PATENTED TRACK WITH NARROW WHEELS