

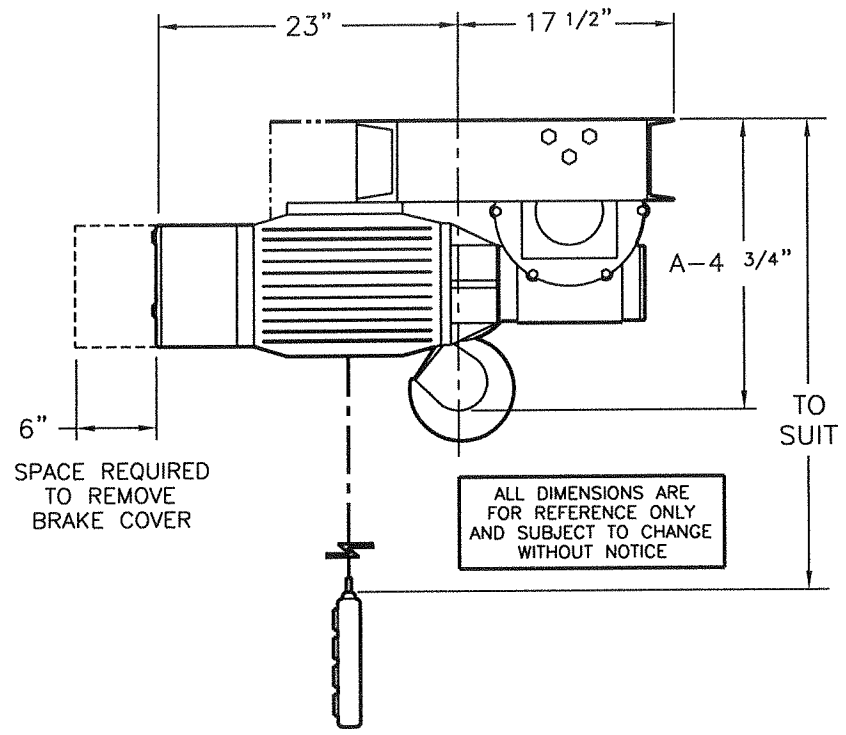
GEAR TYPE
LIMIT
SWITCH
(OPTIONAL)

CONTROL BOX

HOOK
DRIFT

- TROLLEY FORWARD
- TROLLEY REVERSE
- HOIST UP
- HOIST DOWN

P.B. STATION
(OPTIONAL)



SPACE REQUIRED
TO REMOVE
BRAKE COVER

ALL DIMENSIONS ARE
FOR REFERENCE ONLY
AND SUBJECT TO CHANGE
WITHOUT NOTICE

FOR LETTER DESIGNATIONS - SEE CATALOG

SATURN
OVERHEAD EQUIPMENT, LLC

4 to 5-TON SEMI-LOW HEADROOM
MONORAIL HOIST (FD-TYPE)

CONTACT SATURN:
TEL: 1-800-631-4473
www.saturnoe.com

DRAWING NO.:
WB-19-CM