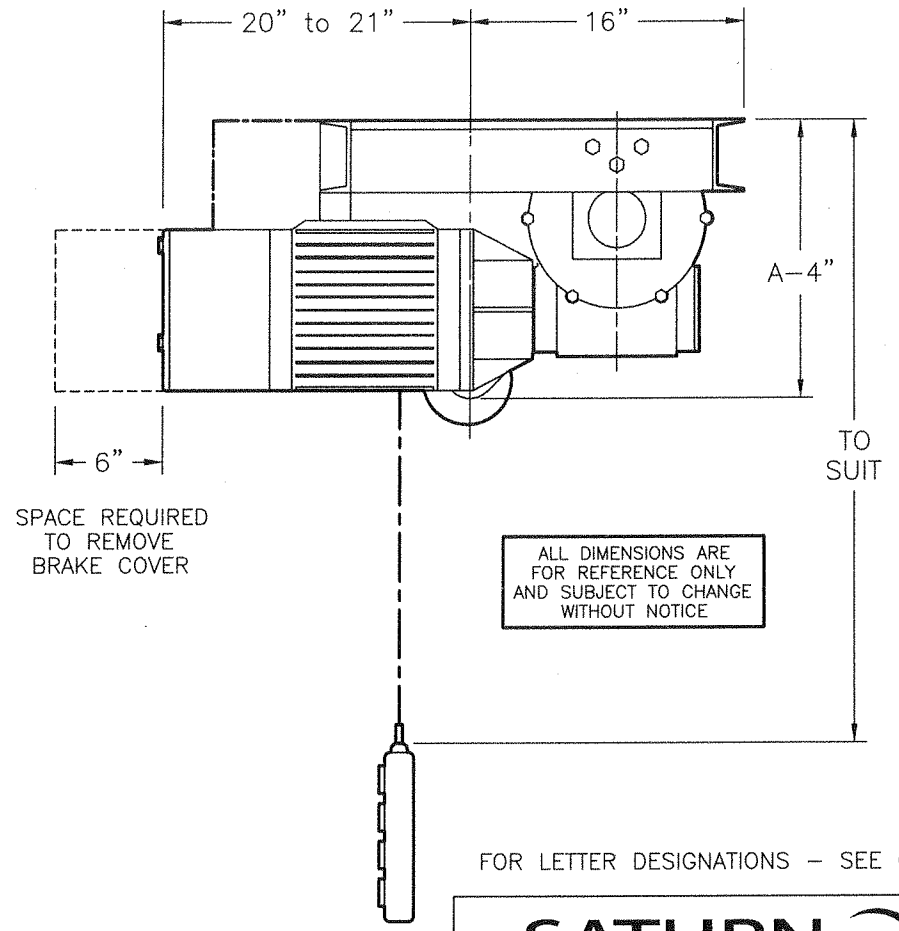


P.B. STATION (OPTIONAL)



FOR LETTER DESIGNATIONS - SEE CATALOG

**SATURN**   
OVERHEAD EQUIPMENT, LLC

2 to 3 TON SEMI-LOW HEADROOM MONORAIL HOIST (ED TYPE)

CONTACT SATURN:  
TEL: 1-800-631-4473  
www.saturnoe.com

DRAWING NO.:  
WB-17-CM