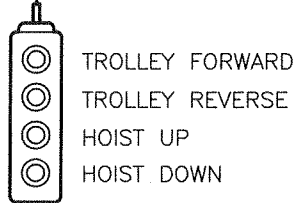
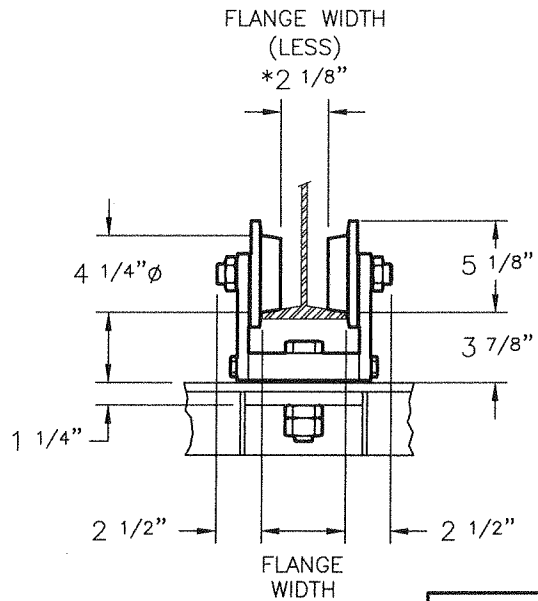


ALL DIMENSIONS ARE
FOR REFERENCE ONLY
AND SUBJECT TO CHANGE
WITHOUT NOTICE



P.B. STATION
(OPTIONAL)



TROLLEYS

FOR LETTER DESIGNATIONS - SEE CATALOG

SATURN 
OVERHEAD EQUIPMENT, LLC

1 to 1.5 TON ULTRA-LOW HEADROOM
MONORAIL HOIST (EE TYPE)

CONTACT SATURN:
TEL: 1-800-631-4473
www.saturnoe.com

DRAWING NO.:
WB-16-PT

* LESS 1 5/8" FOR PATENTED TRACK WITH NARROW WHEELS